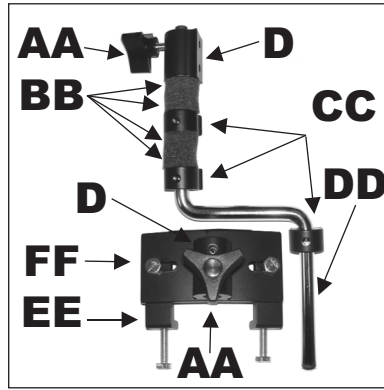
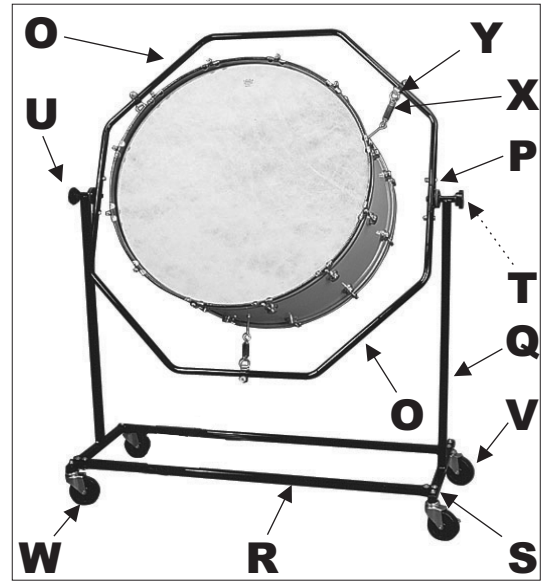


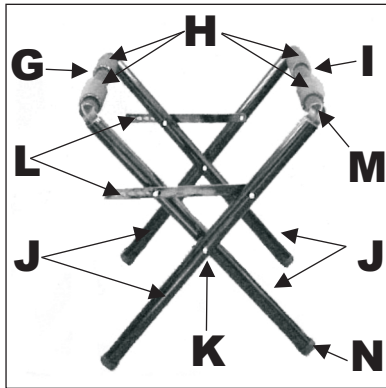
**XL BELL CARRIER**



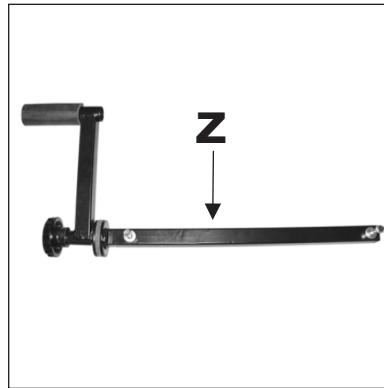
**MARCHING HI-HAT CLAMP**



**SUSPENDED BASS DRUM STANDS - SUSBST,  
SUSBST-40, SUSBST-S, SUSBST-40S**



**BST-FOLDING BASS DRUM STAND**



**FOOT REST FOR SUSBST**

|           |              |  |
|-----------|--------------|--|
| A         | 05306-SA     | SUPPORT ARMCLAMPS (2PER UNIT)            |
| B         | 05707-00     | SMALL "J"ARM (2PER UNIT)                 |
| C         | 05709-00     | ANGLE SUPPORT                            |
| D         | 05106-00     | SWIVEL PINATTACHMENTS (2PER UNIT)        |
| E         | 05710-01     | BELL SUPPORTARM-SHORT                    |
| F         | 05710-02     | BELL SUPPORTARM-LONG                     |
| G         | BS-112-1     | SHORT CROSSARM                           |
| H         | BS-112-1A    | RUBBER SLEEVE(4 PERUNIT)                 |
| I         | BS-112-2     | LONG CROSSARM                            |
| J         | BS-112-3     | BASS STAND LEG(4 PERUNIT)                |
| K         | BS-112-3A    | PLASTIC SCALLOP(4 PERUNIT)               |
| L         | BS-112-4     | ADJUSTMENT ARM(2 PERUNIT)                |
| M         | BS-112-5     | PLASTIC ELBOW(4 PERUNIT)                 |
| N         | A-48         | PLASTIC CAP                              |
| O         | SUS-BST-1    | FRAME RACK(2 PERUNIT)                    |
| O*        | SUS-BST-140  | FRAME RACKFOR 40"DRUM (2PER UNIT)        |
| P         | SUS-BST-02   | PIVOT COLLAR(2 PERUNIT)                  |
| Q         | SUS-BST-347  | SIDE FRAMESUPPORT (2PER UNIT)            |
| Q*        | SUS-BST-347S | SHORT SIDEFRAAMESUPPORT(2 PERUNIT)       |
| R         | SUS-BST-5    | FRAME BRACE(2 PERUNIT)                   |
| R*        | SUS-BST-540  | FRAME BRACEFOR 40"DRUM (2PER UNIT)       |
| S         | SUS-BST-10   | BOLTPLATE(4 PERUNIT)                     |
| T         | SUS-BST-11   | FLANGE BUSHING(3 PERUNIT)                |
| U         | SUS-KNOB     | KNURLED KNOB(3 PERUNIT)                  |
| V         | SUS-SWB      | SWIVEL CASTERWITH BRAKE(2 PERUNIT)       |
| W         | SUS-SWOB     | SWIVEL CASTER(2 PERUNIT)                 |
| X         | SUS-BST-SA   | SPRING/EYE HOOKASSEMBLY(3 PERUNIT)       |
| x1        | SUS-SPRING   | EXTENSION SPRING                         |
| x2        | 25400-EY     | 1/4-20X4" EYEBOLT                        |
| Y         | SUS-D RING   | HOOK RING(3 PERUNIT)                     |
| Z*        | SUSBST-FR    | FOOT RESTASSEMBLYFOR SUSPENDED BASS DRUM |
| AA        | 25037-PK     | PLASTIC PAN KNOB(2 PERUNIT)              |
| BB        | PD-201       | HI-HATFELTS(4 PERUNIT)                   |
| CC        | 07406-00     | SMALL OMEGA CLAMP (3PER UNIT)            |
| DD        | 78107-HH     | HI-HAT ATTACHMENT ARM                    |
| EE        | 39117-A0     | "F" ATTACHMENT(2 PERUNIT)                |
| FF        | MHH-1        | MARCHING HI-HAT BRACKET                  |
| *OPTIONAL |              |  |