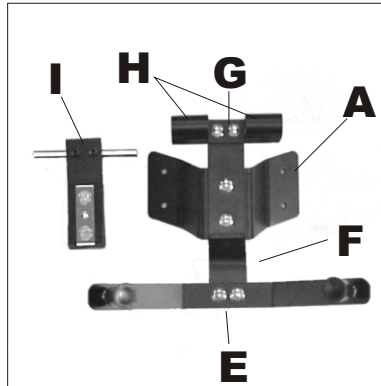
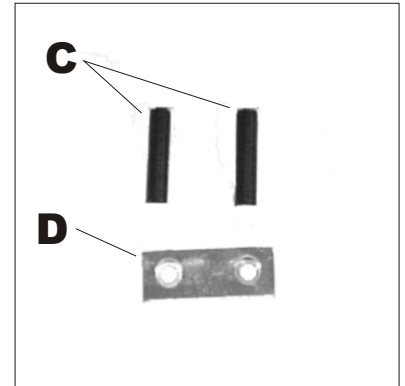


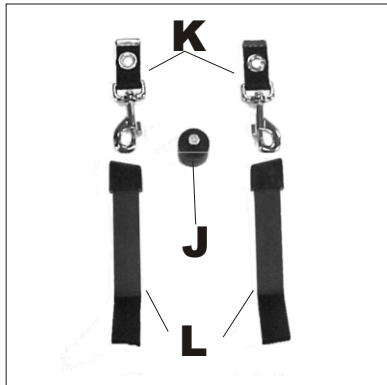
Y-21 STATIONARY SNARE CARRIER



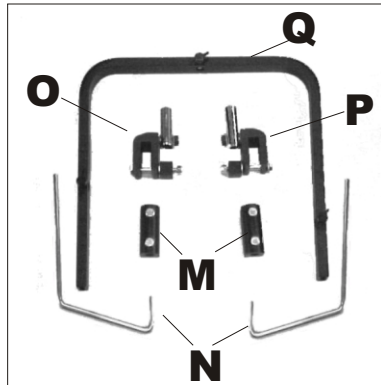
Y-28 LIFT FRONT SNARE CARRIER



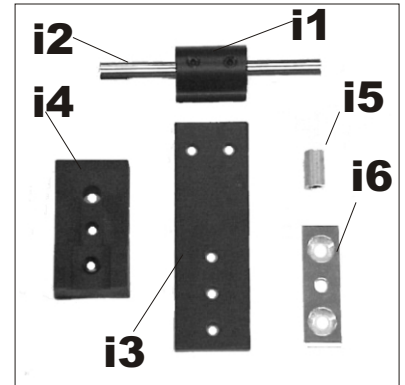
Y-PLS SNARE CARRIER



Y-7 BASS DRUM CARRIER



Y-32B BELL CARRIER



MX28-DA (ITEM I)

A	03106-BK	BLACK SUPPORT PLATE (WING)
B	06109-00	VERTICAL SNARE SUPPORT ARM
C	04108-00	PL SNARESPACERTUBE
D	04110-00	SNARE CLIP
E	06100-DC	LOWER SNARE SUPPORT WITH BUMPERS
e1	06114-BK	LOWER SNAREBAR
e2	05112-00	CONICAL BUMPER WITH NUT
F	05109-00	LIFT FRONT SNARE SUPPORT ARM
G	05110-00	SNARE MOUNTING PLATE
H	05111-00	SWIVEL PIN SUPPORTS (2)
I	MX28-DA	LIFT FRONT CLIP ASSEMBLY
i1	05106-00	SWIVEL PIN ATTACHMENT
i2	05107-00	SWIVEL PIN
i3	08109-A0	SNARE BACKUP PLATE
i4	04313-00	PLASTIC REAR MOUNT SPACER
i5	04313-A0	SPACERTUBE
i6	04314-00	TQ CLIP FOR ET MOUNT
J	03207-00	RUBBER BUMPER ASSEMBLY
K	03211-00	BASS DRUM SNAP ASSEMBLY
L	03200-DA	BASS DRUM ARMS WITH PLASTIC CAPS
l1	03210-LT	LEFT BASS DRUM SUPPORT ARM
l2	03210-RT	RIGHT BASS DRUM SUPPORT ARM
l3	05206-00	PLASTIC BUMPER
M	05306-00	SUPPORT ARM CLAMPS (2)
N	94307-00	PL TRIO SUPPORT ARMS (2)
O	05300-DBL	LEFT SWIVEL CLIP ASSEMBLY
o1	05309-LT	LEFT SWIVEL CLIP
o2	05309-A0	SWIVEL ADJUSTMENT BLOCK
o3	05308-00	SWIVEL TUBE
P	05300-DBR	RIGHT SWIVEL CLIP ASSEMBLY
p1	05309-RT	RIGHT SWIVEL CLIP
p2	05309-A0	SWIVEL ADJUSTMENT BLOCK
p3	05308-00	SWIVEL TUBE
Q	08710-00	OLD STYLE BELL RAIL